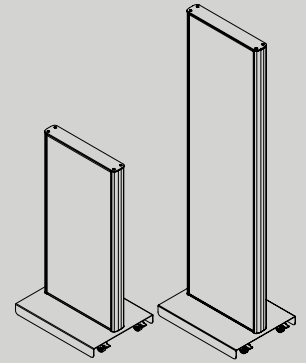


Tensamedia® Magnetic Mobile InQ-Totem® for Magnetic Signage

A mobile, high-visibility signage and wayfinding solution that can be positioned at key locations. The totem offers flexibility to quickly and easily change graphics with the use of magnetic signage to display impactful brand campaigns, directional messaging and customer guidance.



Features & Benefits

Improved Passenger Flow: Display important messaging for a seamless passenger journey.

Flexible: Use magnetic signage on the panels to quickly update messaging such as boarding group information and tasks required for progression.

Portable: 4 x heavy duty wheels allow you to manoeuvre and position the totem at key locations.

Professional: High quality printing with your own branded artwork.

Eye Catching: The profile of the totem is above crowd height and can be seen from a distance.

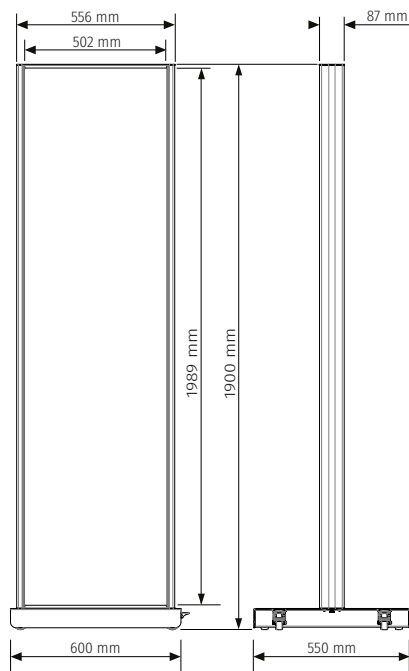
Customisable: The size of the totem can be made-to-order depending on height and length requirements.

Product Specification

Robust: Manufactured with an extruded aluminium framework with thin gauge mild steel panel that has a high quality powder coat finish. Colour to be agreed.

Stable: Braking system to ensure the totem remains in place when not in use.

User Friendly: 2 x steering wheels for easy manoeuvrability.



Please Note

- Internal use only.
- This product must not be treated as load bearing or used to hold / support other non-approved items.
- When not in use, the two steering wheels must be locked.
- Push the product with the steering wheels at the front.
- The base of the product must not be used as a step or seat.

MILTON KEYNES
+44 1908 684 600

NEW YORK
+1-800-441-0019

DUBAI
+971 4 2997 228

PARIS
+33 1 43 09 85 00

FRANKFURT
+49 69 3003 89 010

WROCLAW
+48 71 359 3800